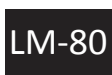


UFO-SERIES



LED BAY LIGHTS



Ring Mounted



Bracket Mounted



Motion sensor



The ZGSM® UFO-Series LED bay lights are using LUMILEDS® LUXEON luminous source, providing excellent lumen output, long-lasting stability and splendid sight.

The ZGSM® UFO-Series LED bay lights are using high-end MeanWell LED driver with long lifespan. Provide 5 years warranty on luminaire.

Color Options

■ black

HIGH-EFFICACY LED LIGHT SOURCE



Philips Lumileds 3030 2D
Greater than 165lm/W high efficacy, illumination grade LED light source.



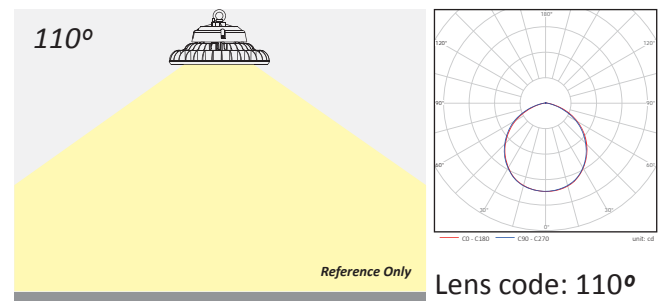
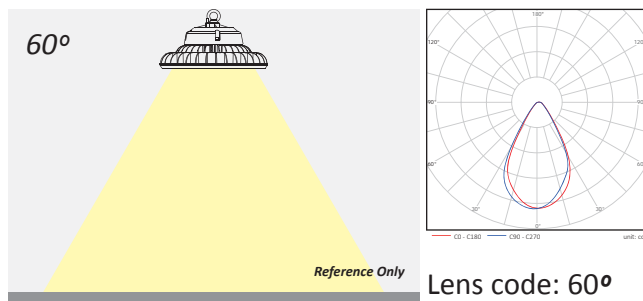
Philips Lumileds 5050
Greater than 185lm/W high efficacy, illumination grade LED light source.

HIGH-END LED DRIVER



High-end MeanWell HBG Series LED driver, optimal stability, performance and lifespan.

Optics



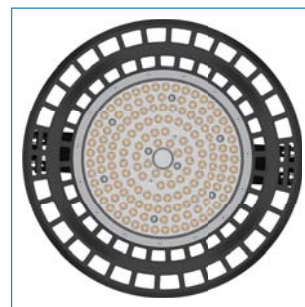
Design Features



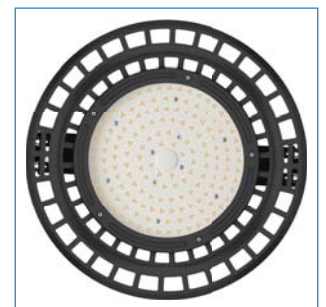
180°adjustable bracket is available.



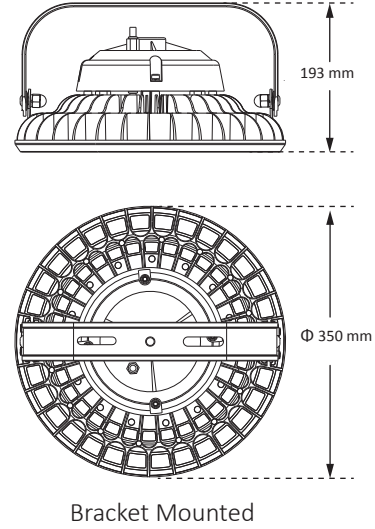
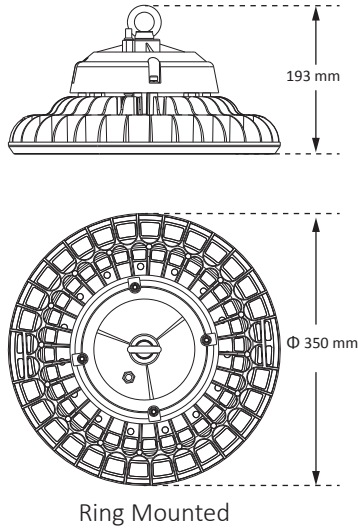
Excellent thermal management system and heat radiation enable the LEDs consistently work cooler, providing significant boosts to lifetime and efficacy.



Professional lens design with 60 degrees.



Utilize high permeability tempered glass, providing the best lumen output of the luminaire.



Electrical & Photometric

★ **3030 Version**

| Series | Model | LED Qty/ Current | Power | Luminaire efficacy (+/- 5%) | Lumen Output (+/- 5%) | Input Voltage | LED Brand | Driver Brand | Beam Angle | CCT (K) | Lifetime (h) |
|--------|--------------|------------------|-------|-----------------------------|-----------------------|-------------------------------|-----------------------------|--------------|--|---------|-------------------|
| UFO | ZGSM-UFO100M | 152units/ 105mA | 100W | 140 lm /w | 14000 lm | 100-240V /277V AC 50 /60Hz | Philips Lumileds 3030 2D | MeanWell | 60° (PC Lens) 110° (Tempered Glass) | 3000* | >100,000 (L70) |
| | ZGSM-UFO160M | 240units/ 107mA | 160W | 140 lm /w | 22400 lm | | | | | 4000 | |
| | ZGSM-UFO200M | 304units/ 104mA | 200W | 140 lm /w | 28000 lm | | | | | 5000 | |
| | | | | | | | | | | 5700 | |

*Luminous Efficacy of 3000K is 5% lower than other CCTs.

★ **5050 Version**

| Series | Model | LED Qty/ Current | Power | Luminaire efficacy (+/- 5%) | Lumen Output (+/- 5%) | Input Voltage | LED Brand | Driver Brand | Beam Angle | CCT (K) | Lifetime (h) |
|--------|--------------|------------------|-------|-----------------------------|-----------------------|-------------------------------|--------------------------|--------------|--|---------|-------------------|
| UFO | ZGSM-UFO100M | 78units/ 51mA | 100W | 155 lm /w | 15500 lm | 100-240V /277V AC 50 /60Hz | Philips Lumileds 5050 | MeanWell | 60° (PC Lens) 110° (Tempered Glass) | 3000* | >100,000 (L70) |
| | ZGSM-UFO160M | 122units/ 53mA | 160W | 155 lm /w | 24800 lm | | | | | 4000 | |
| | ZGSM-UFO200M | 152units/ 53mA | 200W | 155 lm /w | 31000 lm | | | | | 5000 | |
| | | | | | | | | | | 5700 | |

*Luminous Efficacy of 3000K is 5% lower than other CCTs.

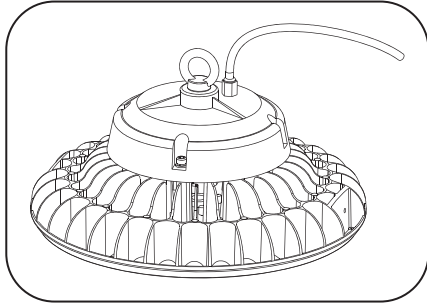
Working Environment & Packing

| Model | Product Dimensions (mm) | Carton Size (mm) | Ring mounted | | Bracket mounted | | Working Environment | Storage Temperature | Rating | CRI | Power Factor | Power Efficiency | Material | Accessories (Optional) |
|--------------|-------------------------|------------------|--------------|---------|-----------------|---------|--------------------------------|---------------------|-------------------------|-----|--------------|------------------|--|------------------------|
| | | | N.W(kg) | G.W(kg) | N.W(kg) | G.W(kg) | | | | | | | | |
| ZGSM-UFO100M | 350*350*193 | 365*365*210 | 4.4 | 5.2 | 5.2 | 6.0 | -40 °C ~ +50 °C 10% ~ 90%RH | -40 °C ~ +50 °C | Class I IP65 IK08 | >70 | >0.95 | >90% | Housing: Die-cast aluminum Lens: Tempered glass /PC | Motion Sensor |
| ZGSM-UFO160M | 350*350*193 | 365*365*210 | 5.2 | 6.0 | 6.0 | 6.8 | | | | | | | | |
| ZGSM-UFO200M | 350*350*193 | 365*365*210 | 5.2 | 6.0 | 6.0 | 6.8 | | | | | | | | |

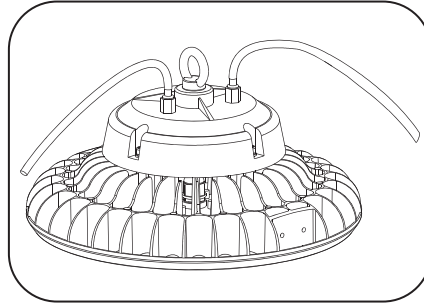
Above data of weight are all typical values.

Smart Controls

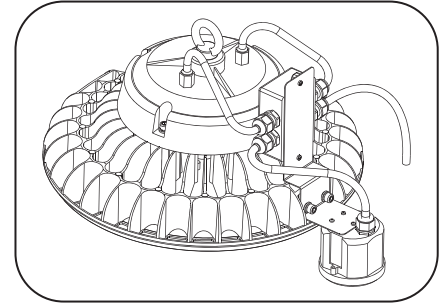
UFO comes with a variety of optional integrated controls.



Standard



1 -10 V dimmable/ DALI controlled



3 step dimming, daylight and motion sensor

Dimming Optional

MeanWell dimmable driver will be used if dimming function is requested. Multiple dimming functions are integrated (1-10V DC, PWM Signal or potentiometer).

- ★ 1-10V Dimming [All the models are available]
- ★ PWM Dimming [All the models are available]
- ★ Potentiometer Dimming [All the models are available]

Certification

| |
|--|
| Manufacturer |
| ISO9001, ISO14001 |
| UFO Series [ZGSM-UFO100M, ZGSM-UFO160M, ZGSM-UFO200M.] |
| CE, ROHS, LM80 |