

# H-SERIES



SAVE TODAY'S ENERGY FOR TOMORROW



## LED CANOPY LIGHTS



**Overview**

The ZGSM® H-Series LED canopy lights are using PHILIPS LUMILEDS® luminous source, providing excellent lumen output, long-lasting stability and splendid sight.

The ZGSM H-Series LED canopy lights have a high luminous efficiency and better service life. Provide 7 years warranty on luminaire.

**Color Options**

● Silver Gray

**HIGH-EFFICACY LED LIGHT SOURCE**



**Philips Lumileds Luxeon TX**  
Greater than 135lm/W high efficacy, illumination grade LED light source.



**Philips Lumileds 3030 2D**  
Greater than 150lm/W high efficacy, illumination grade LED light source.



**Philips Lumileds 5050**  
Greater than 185lm/W high efficacy, illumination grade LED light source.

**HIGH-END LED DRIVER (Two options)**

**+ NON-DIMMABLE**



High-end Mean Well HLG Series LED driver, optimal stability, performance and lifespan.

**+ DIMMABLE**

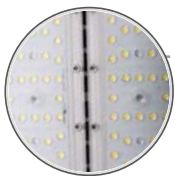
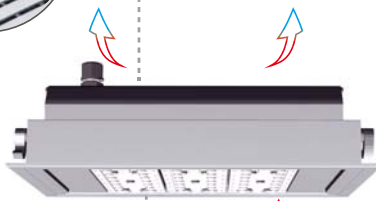


High-end Inventronics programmable LED driver, integrate dimming function and 6KV /10KV surge protection. Provide excellent performance and lifespan.

**AIR CONVECTION EFFECT**

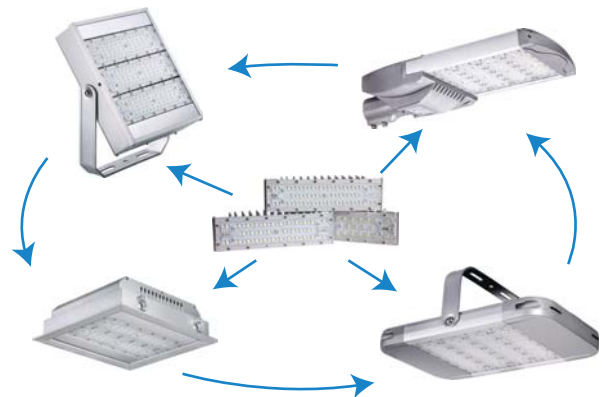


Reasonable heat sink design, not only keep ventilation but also avoid laceration.

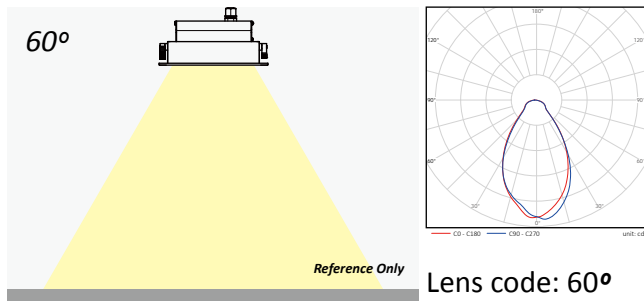


Gaps between each module increase heat dissipation speed and solve the problem of dust deposition.

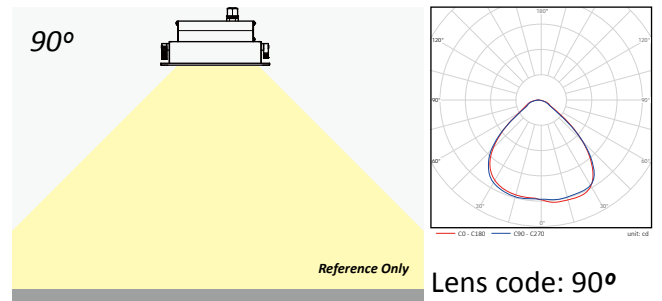
**FLEXIBLE COMBINATIONS OF MODULES**



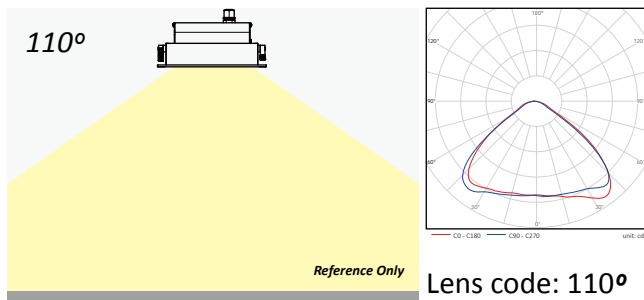
### Optics



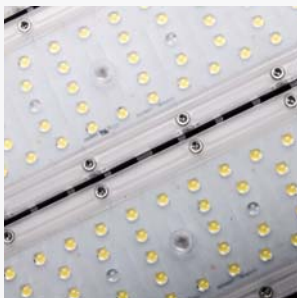
Applications:  
Shelf Aisle | High Hall | High Workshop



Applications:  
Warehouse | Workshop



Applications:  
Warehouse | Workshop | Gas Station



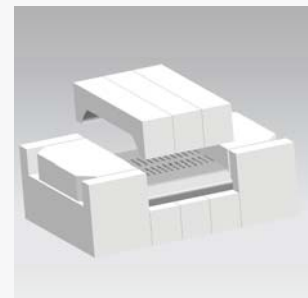
Professional lens design with 60°, 90° and 110° optional.



Use M16 waterproof connector, avoid hard power damage.



The exquisite and innovated frame holder not only makes the installation more simple but also firmer.



A special tailormade packaging designed to guarantee the highest protection of the lamp.



Use waterproof connector for internal wiring, safe, convenient & fast.



Innovative pluggable connector, clean & efficient.



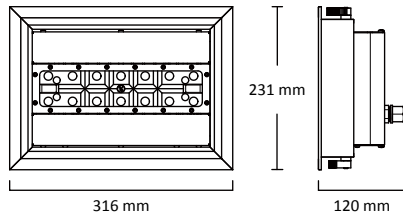
Convenient & fast installation.



With a non-corrosive material, not only exquisite appearance, but also no corrosion concerns.

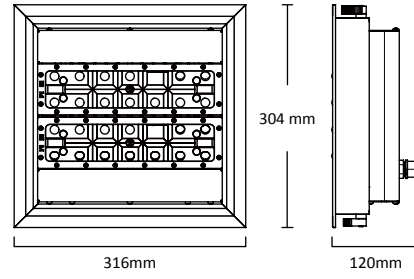
DETAILED FEATURES

### Dimension



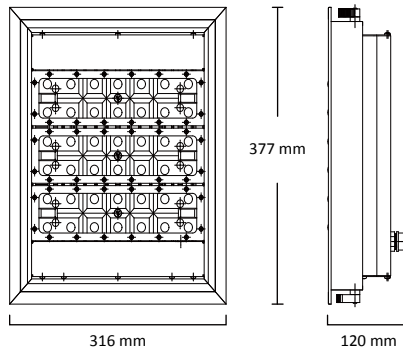
316 mm  
Ceiling Thickness: 10 - 25 mm  
Hole Size: 202 x 285 mm

**1 module**



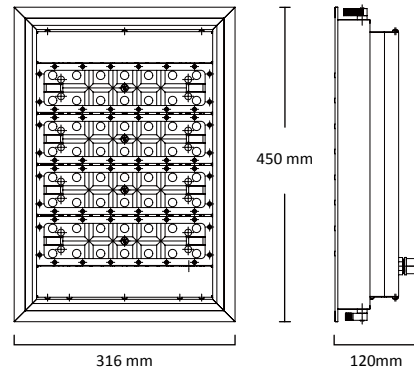
316mm  
Ceiling Thickness: 10 - 25 mm  
Hole Size: 275 x 285 mm

**2 modules**



316 mm  
Ceiling Thickness: 10 - 25 mm  
Hole Size: 348 x 285 mm

**3 modules**



316 mm  
Ceiling Thickness: 10 - 25 mm  
Hole Size: 421 x 285 mm

**4 modules**

### Electrical & Photometric

#### ★ 3030 Version

Number of Modules	Model	LED Working Current	Power	Luminaire Efficacy (+/- 5%)	Lumen Output (+/- 5%)	Input Voltage	LED Brand	Driver Brand	Light Distributions	CCT (K)	Lifetime (h)
1	ZGSM-QD40H4	95mA	40W	140 lm /w	5600 lm	100-240V /277V AC 50 /60Hz	Philips Lumileds 3030 2D	MeanWell Inventronics	60° 90° 110°	3000* 4000 5000 5700	>100,000 (L70)
	ZGSM-QD50H5	115mA	50W	130 lm /w	6500 lm						
	ZGSM-QD60H6	145mA	60W	125 lm /w	7500 lm						
2	ZGSM-QD80H4	100mA	80W	140 lm /w	11200 lm						
	ZGSM-QD100H5	120mA	100W	130 lm /w	13000 lm						
	ZGSM-QD120H6	145mA	120W	125 lm /w	15000 lm						
3	ZGSM-QD120H4	100mA	120W	140 lm /w	16800 lm						
	ZGSM-QD150H5	120mA	150W	130 lm /w	19500 lm						
	ZGSM-QD180H6	145mA	180W	125 lm /w	22500 lm						
4	ZGSM-QD160H4	100mA	160W	140 lm /w	22400 lm						
	ZGSM-QD200H5	120mA	200W	130 lm /w	26000 lm						
	ZGSM-QD240H6	145mA	240W	125 lm /w	30000 lm						

\*Luminous Efficacy of 3000K is 5% lower than other CCTs.

### ★ 5050 Version

Number of Modules	Model	LED Working Current	Power	Luminaire Efficacy (+/- 5%)	Lumen Output (+/- 5%)	Input Voltage	LED Brand	Driver Brand	Light Distributions	CCT (K)	Lifetime (h)
1	ZGSM-QD40H4	48mA	40W	165 lm /w	6600 lm	100-240V /277V AC 50 /60Hz	Philips Lumileds 5050	MeanWell Inventronics	110°	3000* 4000 5000 5700	>100,000 (L70)
	ZGSM-QD50H5	59mA	50W	160 lm /w	8000 lm						
	ZGSM-QD60H6	75mA	60W	155 lm /w	9300 lm						
2	ZGSM-QD80H4	50mA	80W	165 lm /w	13200 lm						
	ZGSM-QD100H5	61mA	100W	160 lm /w	16000 lm						
	ZGSM-QD120H6	75mA	120W	155 lm /w	18600 lm						
3	ZGSM-QD120H4	50mA	120W	165 lm /w	19800 lm						
	ZGSM-QD150H5	58mA	150W	160 lm /w	24000 lm						
	ZGSM-QD180H6	75mA	180W	155 lm /w	27900 lm						
4	ZGSM-QD160H4	50mA	160W	165 lm /w	26400 lm						
	ZGSM-QD200H5	58mA	200W	160 lm /w	32000 lm						
	ZGSM-QD240H6	75mA	240W	155 lm /w	37200 lm						

\*Luminous Efficacy of 3000K is 5% lower than other CCTs.

### ★ 3535 Version

Number of Modules	Model	LED Working Current	Power	Luminaire Efficacy (+/- 5%)	Lumen Output (+/- 5%)	Input Voltage	LED Brand	Driver Brand	Light Distributions	CCT (K)	Lifetime (h)
1	ZGSM-QD40H	860mA	40W	110 lm /w	4400 lm	100-240V /277V AC 50 /60Hz	Philips Lumileds Luxeon TX	MeanWell Inventronics	60° 90° 110°	3000* 4000 5000 5700	>100,000 (L70)
2	ZGSM-QD80H	900mA	80W	110 lm /w	8800 lm						
3	ZGSM-QD120H	900mA	120W	110 lm /w	13200 lm						
4	ZGSM-QD160H	900mA	160W	110 lm /w	17600 lm						

\*Luminous Efficacy of 3000K is 5% lower than other CCTs.

## Working Environment & Packing

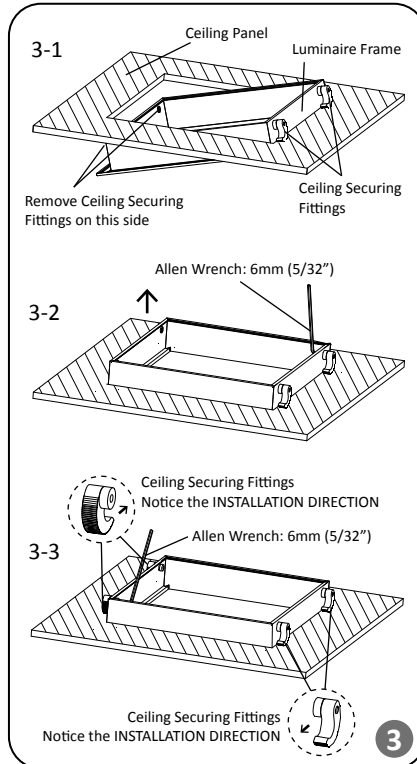
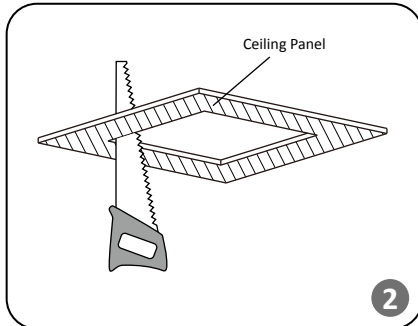
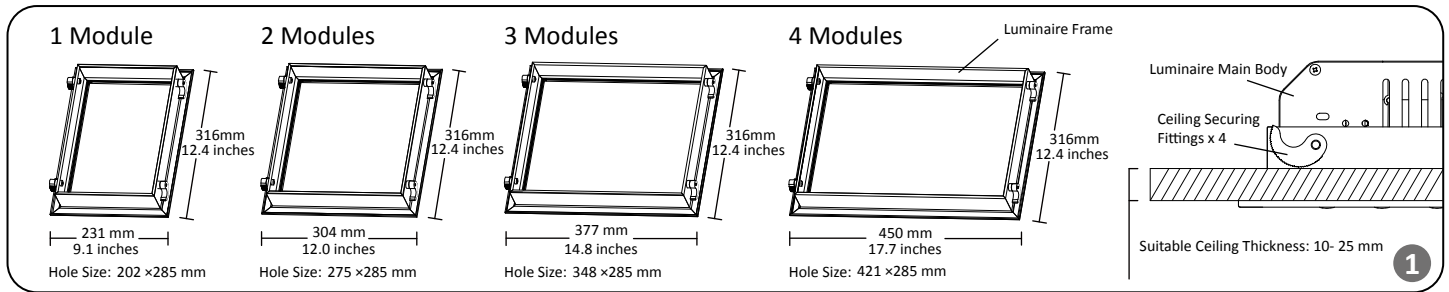
Number of Modules	Hole Size (mm)	Product Dimensions (mm)	Carton Size (mm)	N.W (kg)	G.W (kg)	Working Environment	Storage Temperature	Rating	CRI	Power Factor	Power Efficiency	Material
1	202*285	231*316*120	285*370*200	2.4	3.1	-40 °C ~ +50 °C 10% ~ 90%RH	-40 °C ~ +50 °C	Class I IP66 IK10	>70	>0.95	>90%	Housing: Aluminium Alloy; Lens: PC
2	275*285	304*316*120	355*370*200	3.6	4.4							
3	348*285	377*316*120	430*370*200	4.4	5.2							
4	421*285	450*316*120	505*370*200	5.4	6.3							

Note: Above data of weight are all typical values.

## Certification

Manufacturer
ISO9001, ISO14001
H Series [ ZGSM-QD40H, ZGSM-QD80H, ZGSM-QD120H, ZGSM-QD160H ]
CE, ROHS, GS, CB, SAA, LM80, ATEX
H4/H5 Series [ ZGSM-QD40H4, ZGSM-QD80H4, ZGSM-QD120H4, ZGSM-QD160H4   ZGSM-QD50H5, ZGSM-QD100H5, ZGSM-QD150H5, ZGSM-QD200H5 ]
CE, ROHS, LM80, ATEX
H6 Series [ ZGSM-QD60H6, ZGSM-QD120H6, ZGSM-QD180H6, ZGSM-QD240H6 ]
CE, ROHS, LM80

### Installation



#### STEP 1:

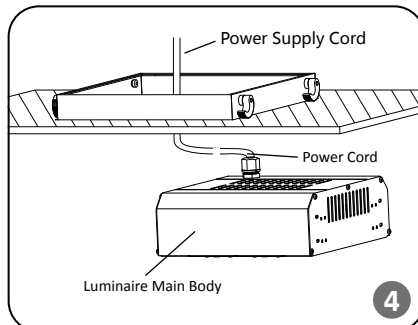
Open the mounting hole on the Ceiling Panel. (See **Figure 1** for opening size)

#### STEP 2:

Remove two(2) Ceiling Securing Fittings of one side, bring the side of Luminaire Frame with Ceiling Securing Fittings into Ceiling Panel. See **Figure 3-1**.

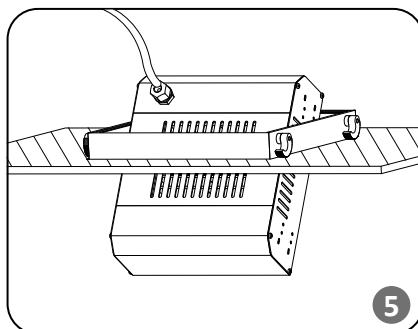
Bring entire Luminaire Frame into Ceiling Panel, Clamp the Ceiling Panel by Ceiling Securing Fittings and tighten by 6mm (5/32") Allen Wrench. See **Figure 3-2**.

Mount the removed Ceiling Securing Fittings back to Luminaire Frame, notice that the both sides are opposed. Clamp and tighten by 6mm (5/32") Allen Wrench. See **Figure 3-3**.



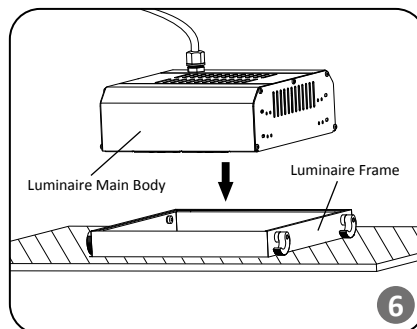
#### STEP 3:

Connect the **Power Cord** to the supply wiring per "**Electrical Connections**" section for completing electrical connections.



#### STEP 4:

Tilt and bring the Luminaire Main Body into Luminaire Frame after the step of "**Electrical Connections**". See **Figure 5**.



#### STEP 5:

Place the Luminaire Main Body by horizontal onto Luminaire Frame, fine tuning and ensure the Luminaire Main Body is snapped into to the slot of Luminaire Frame. See **Figure 6**.



- For Gas Station, Malaysia



- For Gas Station, Nigeria



- For Gas Station, Uruguay



- For Gas Station, Spain