

PV2-SERIES



ISO9001
ISO14001



3 YEAR
WARRANTY

LED SOLAR STREET LIGHTS



Overview

The solar street light is integrated with solar panel, led light, lithium battery, controller, constant current driver and luminaire housing. It is combined with multiple practical control technology including photoelectric effect, constant current control, microcontroller, human infrared induction. It can be used in the area without power grid.

LED LUMINOUS SOURCE

Greater than 150lm/W high efficacy, illumination grade LED light source.



SOLAR PANEL

Solar panel absorbs sunlight and convert it into electricity. Efficiency more than 17%.

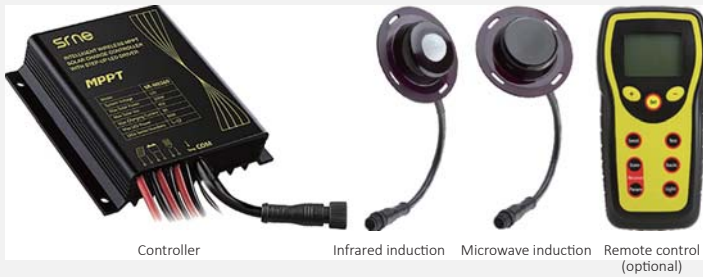


LITHIUM BATTERY

Lithium battery improves the reliability of the luminaire. Low temperature charging protection, which effectively protects the battery.



INDUCTION CONTROLLER /REMOTE CONTROL



Controller

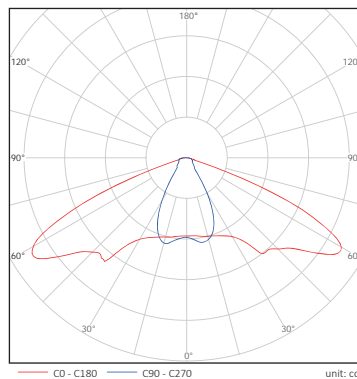
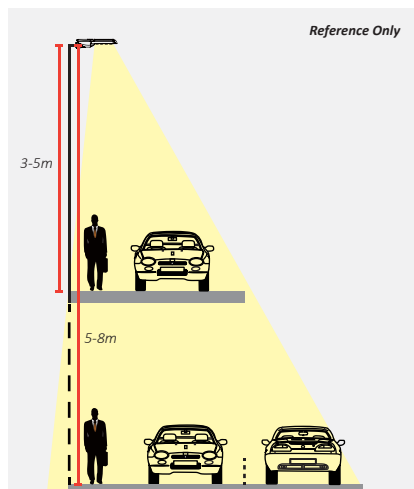
Infrared induction

Microwave induction

Remote control (optional)

Main Features

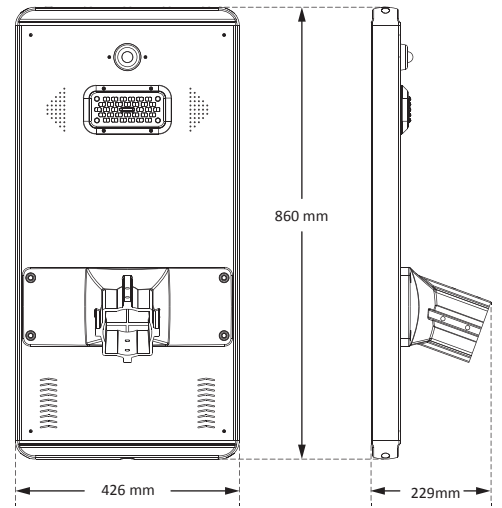
- Adopts MPPT charging method, which increases the utilization of solar panel.
- Lithium battery low temperature charging protection, which effectively protects the battery.
- Three induction stages design. Working time can be set from 0h to 15hours, power range from 0~100%
- Human infrared induction or microwave induction function for optional, Factory default is infrared induction.
- Sensitive time delay can be set from 0s~250s.
- Record system status, can record 7days and monitor the whole system.
- Overheat protection function, when the controller reaches a certain temperature, it will decrease or close the load.
- Working status indication, easy to maintain.



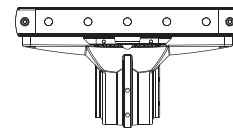
Lens code: 1S

Application (Driverway width=3.5M):

- Garden, Residence, Courtyard
- Pedestrian and Branch Road
- Mine and Parking Lot
- Areas with no electrical supply



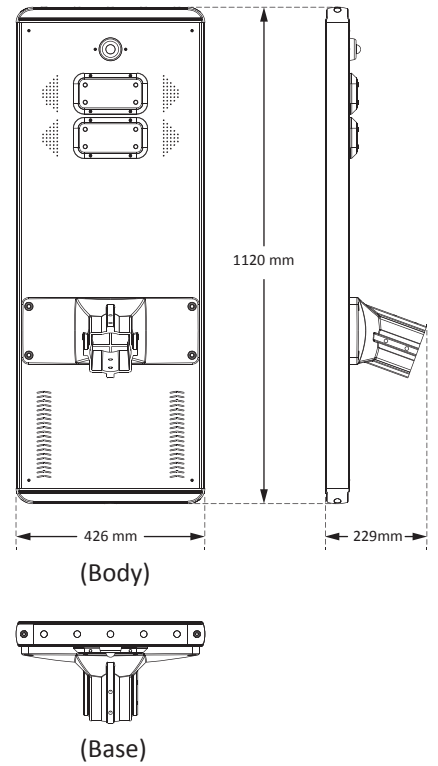
(Body)



(Base)

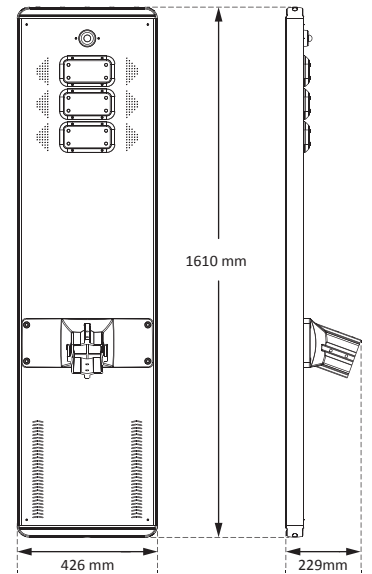
Electrical & Photometric

Solar Panel Spec.	Model	Power	Modules Qty	Luminaire efficacy (+/- 5%)	Lumen Output (+/- 5%)	Battery Spec. (Lithium)	Constant worktime at 100% power	Constant worktime at 30% power (Energy save mode)	Charge Time (low battery voltage)	Installation Height	Pole Distance
50W Monocrystal	ZGSM-PV501010	10W	1 (30 LEDs)	145 lm/ w	1450 lm	10AH /11.1V	8.5 Hours	>29 Hours	2.5 Hours	3~4m	9~14m
	ZGSM-PV501510	15W	1 (30 LEDs)	140 lm/ w	2100 lm	10AH /11.1V	5.5 Hours	>19.5 Hours	2.5 Hours	3~5m	9~17m
	ZGSM-PV502010	20W	1 (30 LEDs)	130 lm/ w	2600 lm	10AH /11.1V	4 Hours	>14.5 Hours	2.5 Hours	4~5m	12~17m
	ZGSM-PV502020	20W	1 (30 LEDs)	130 lm/ w	2600 lm	20AH /11.1V	8.5 Hours	>29 Hours	4.5 Hours	4~5m	12~17m
	ZGSM-PV503020	30W	2 (60 LEDs)	140 lm/ w	4200 lm	20AH /11.1V	5.5 Hours	>19.5 Hours	4.5 Hours	4~6m	12~21m
	ZGSM-PV504020	40W	2 (60 LEDs)	130 lm/ w	5200 lm	20AH /11.1V	4 Hours	>14.5 Hours	4.5 Hours	5~6m	15~21m
	ZGSM-PV504027	40W	2 (60 LEDs)	130 lm/ w	5200 lm	27AH /11.1V	6 Hours	>20 Hours	6 Hours	5~6m	15~21m
	ZGSM-PV505027	50W	2 (60 LEDs)	125 lm/ w	6250 lm	27AH /11.1V	4.5 Hours	>16 Hours	6 Hours	5~7m	15~25m

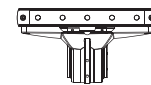


Electrical & Photometric

Solar Panel Spec.	Model	Power	Modules Qty	Luminaire efficacy (+/- 5%)	Lumen Output (+/- 5%)	Battery Spec. (Lithium)	Constant worktime at 100% power	Constant worktime at 30% power (Energy save mode)	Charge Time (low battery voltage)	Installation Height	Pole Distance
70W Monocrystal	ZGSM-PV702020	20W	2 (60 LEDs)	145 lm/ w	2900 lm	20AH /11.1V	8.5 Hours	>29 Hours	3.5 Hours	4~5m	12~17m
	ZGSM-PV703020	30W	2 (60 LEDs)	140 lm/ w	4200 lm	20AH /11.1V	5.5 Hours	>19.5 Hours	3.5 Hours	4~6m	12~21m
	ZGSM-PV703027	30W	2 (60 LEDs)	140 lm/ w	4200 lm	27AH /11.1V	8 Hours	>26 Hours	4.5 Hours	4~6m	12~21m
	ZGSM-PV704020	40W	2 (60 LEDs)	130 lm/ w	5200 lm	20AH /11.1V	4 Hours	>14.5 Hours	3.5 Hours	5~6m	15~21m
	ZGSM-PV704027	40W	2 (60 LEDs)	130 lm/ w	5200 lm	27AH /11.1V	6 Hours	>20 Hours	4.5 Hours	5~6m	15~21m
	ZGSM-PV704040	40W	2 (60 LEDs)	130 lm/ w	5200 lm	40AH /11.1V	8.5 Hours	>29.5 Hours	6.5 Hours	5~6m	15~21m
	ZGSM-PV705027	50W	3 (90 LEDs)	135 lm/ w	6750 lm	27AH /11.1V	4.5 Hours	>16 Hours	4.5 Hours	5~7m	15~25m
	ZGSM-PV705040	50W	3 (90 LEDs)	135 lm/ w	6750 lm	40AH /11.1V	7 Hours	>23.5 Hours	6.5 Hours	5~7m	15~25m
	ZGSM-PV706027	60W	3 (90 LEDs)	130 lm/ w	7800 lm	27AH /11.1V	4 Hours	>13 Hours	4.5 Hours	6~8m	18~35m
	ZGSM-PV706040	60W	3 (90 LEDs)	130 lm/ w	7800 lm	40AH /11.1V	5.5 Hours	>19.5 Hours	6.5 Hours	6~8m	18~35m



(Body)



(Base)

Electrical & Photometric

Solar Panel Spec.	Model	Power	Modules Qty	Luminaire efficacy (+/- 5%)	Lumen Output (+/- 5%)	Battery Spec. (Lithium)	Constant worktime at 100% power	Constant worktime at 30% power (Energy save mode)	Charge Time (low battery voltage)	Installation Height	Pole Distance
100W Monocrystal	ZGSM-PV1003020	30W	3 (90 LEDs)	145 lm/ w	4350 lm	20AH /11.1V	5.5 Hours	>19.5 Hours	2.5 Hours	4~6m	12~21m
	ZGSM-PV1003027	30W	3 (90 LEDs)	145 lm/ w	4350 lm	27AH /11.1V	8 Hours	>26.5 Hours	3 Hours	4~6m	12~21m
	ZGSM-PV1004020	40W	3 (90 LEDs)	140 lm/ w	5600 lm	20AH /11.1V	4 Hours	>14.5 Hours	2.5 Hours	5~6m	15~21m
	ZGSM-PV1004027	40W	3 (90 LEDs)	140 lm/ w	5600 lm	27AH /11.1V	6 Hours	>20 Hours	3 Hours	5~6m	15~21m
	ZGSM-PV1004040	40W	3 (90 LEDs)	140 lm/ w	5600 lm	40AH /11.1V	8.5 Hours	>29.5 Hours	4.5 Hours	5~6m	15~21m
	ZGSM-PV1005027	50W	3 (90 LEDs)	135 lm/ w	6750 lm	27AH /11.1V	4.8 Hours	>16 Hours	3 Hours	5~7m	15~25m
	ZGSM-PV1005040	50W	3 (90 LEDs)	135 lm/ w	6750 lm	40AH /11.1V	7 Hours	>23.5 Hours	4.5 Hours	5~7m	15~25m
	ZGSM-PV1005045	50W	3 (90 LEDs)	135 lm/ w	6750 lm	45AH /11.1V	8 Hours	>26.5 Hours	5 Hours	5~7m	15~25m
	ZGSM-PV1006027	60W	3 (90 LEDs)	130 lm/ w	7800 lm	27AH /11.1V	4 Hours	>13 Hours	3 Hours	6~8m	18~35m
	ZGSM-PV1006040	60W	3 (90 LEDs)	130 lm/ w	7800 lm	40AH /11.1V	5.5 Hours	>19.5 Hours	4.5 Hours	6~8m	18~35m
	ZGSM-PV1006045	60W	3 (90 LEDs)	130 lm/ w	7800 lm	45AH /11.1V	6.5 Hours	>22 Hours	5 Hours	6~8m	18~35m

Working Environment & Packing

Solar Panel	Model	Working Temperature	CRI	CCT	Optic	Rating	Induction Type	Pole Aperture	Body/ Base Carton Size (mm)	N.W (kg)	Body/ Base G.W (kg)
Monocrystal 50W	ZGSM-PV501010	-20 °C ~ +60 °C	>70	3000*	1S	IP65	Human infrared induction or microwave induction function for optional, Factory default is infrared induction.	Round pole: Φ60~85mm; Square pole: 60 x60 ~77 x77mm	915*485*140/ 410*160*205	13.8	11.9/ 4.2
	ZGSM-PV501510									14.9	13.0/ 4.2
	ZGSM-PV502010									15.3	13.4/ 4.2
	ZGSM-PV502020									16.5	14.6/ 4.2
	ZGSM-PV503020										
	ZGSM-PV504020										
Monocrystal 70W	ZGSM-PV702020	-20 °C ~ +60 °C	>70	3000*	1S	IP65	Human infrared induction or microwave induction function for optional, Factory default is infrared induction.	Round pole: Φ60~85mm; Square pole: 60 x60 ~77 x77mm	1175*485*140/ 410*160*205	16.8	15.3/ 4.2
	ZGSM-PV703020									18.0	16.4/ 4.2
	ZGSM-PV704020									19.0	17.4/ 4.2
	ZGSM-PV703027									18.4	16.8/ 4.2
	ZGSM-PV704027									19.4	17.8/ 4.2
	ZGSM-PV704040										
Monocrystal 100W	ZGSM-PV1003020	-20 °C ~ +60 °C	>70	3000*	1S	IP65	Human infrared induction or microwave induction function for optional, Factory default is infrared induction.	Round pole: Φ60~85mm; Square pole: 60 x60 ~77 x77mm	1665*485*140/ 410*160*205	22.8	22.1/ 4.2
	ZGSM-PV1004020										
	ZGSM-PV1003027										
	ZGSM-PV1004027										
	ZGSM-PV1005027										
	ZGSM-PV1006027										
Monocrystal 100W	ZGSM-PV1004040	-20 °C ~ +60 °C	>70	3000*	1S	IP65	Human infrared induction or microwave induction function for optional, Factory default is infrared induction.	Round pole: Φ60~85mm; Square pole: 60 x60 ~77 x77mm	1665*485*140/ 410*160*205	23.8	23.1/ 4.2
	ZGSM-PV1005040										
	ZGSM-PV1006040										
	ZGSM-PV1005045									25.0	24.3/ 4.2
	ZGSM-PV1006045										

Note: Above data of weight are all typical values.

Certification

Manufacturer
ISO9001, ISO14001
PV2 Series [All the models]
CE, ROHS, LM80

Convenient maintenance :

- + Drawer design makes the battery, led modules, sensor and controller easier to maintain.
- + Male /Female IP68 cable connector makes the luminaire waterproof and easy to replace.

